

Pneumatic Spot Welding Machine

For Round Duct Welding

A pneumatic spot welding machine for round duct fabrication, designed to deliver fast and precise spot welding for ducts with different diameters and sheet thicknesses while producing high-strength weld points.

PSW-40-450 / 650

35 KVA

1.2 + 1.2 mm

60 mm Stroke

393 N Max Pressure

Built for practical round duct spot welding

Round duct fabrication | Pneumatic drive | HVAC workshops

HYRUN Mechatronic Technology Co., Ltd.

PRODUCT OVERVIEW

Designed for Fast Round Duct Spot Welding

The Pneumatic Spot Welding Machine uses pneumatic drive technology to complete fast and precise spot welding for round ducts with varying diameters and sheet thicknesses. It is suitable for HVAC duct fabrication workshops that need stable welding quality, convenient operation, and efficient preparation of duct connection points.

Pneumatic Drive

Supports stable electrode movement and efficient welding operation in duct workshops.

Two Working Lengths

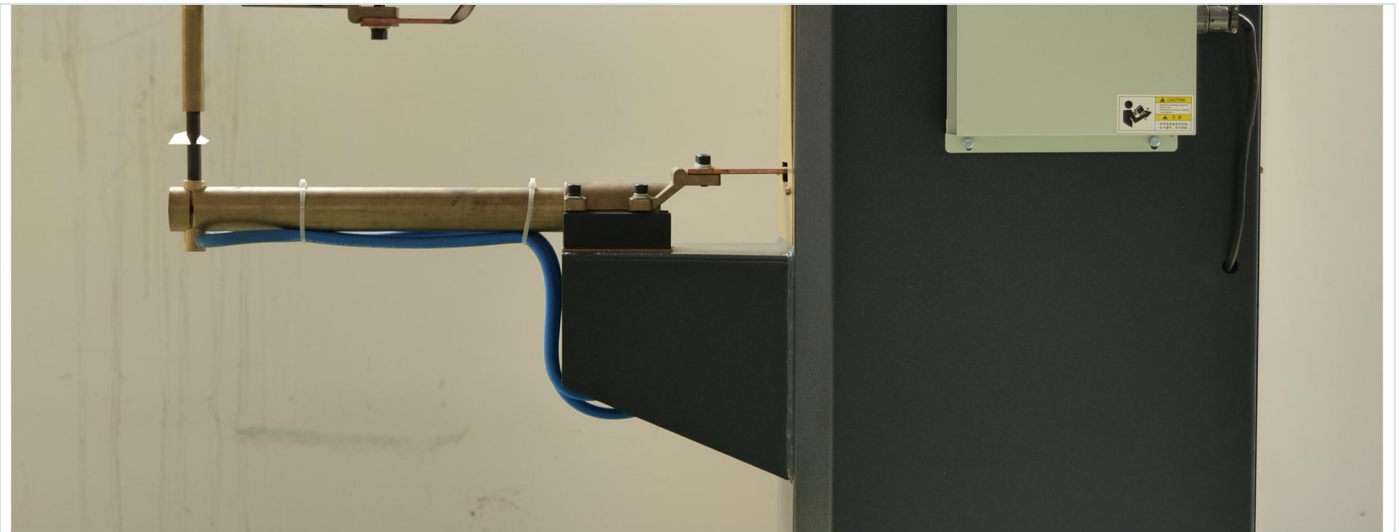
Available with 450 mm and 650 mm welding length configurations for different duct needs.

Practical Sheet Range

Designed for round duct spot welding with 1.2 + 1.2 mm welding thickness reference.

Foot Pedal Operation

Convenient control supports simple operation and repeatable spot welding workflow.



SPECIFICATION

Model Configuration

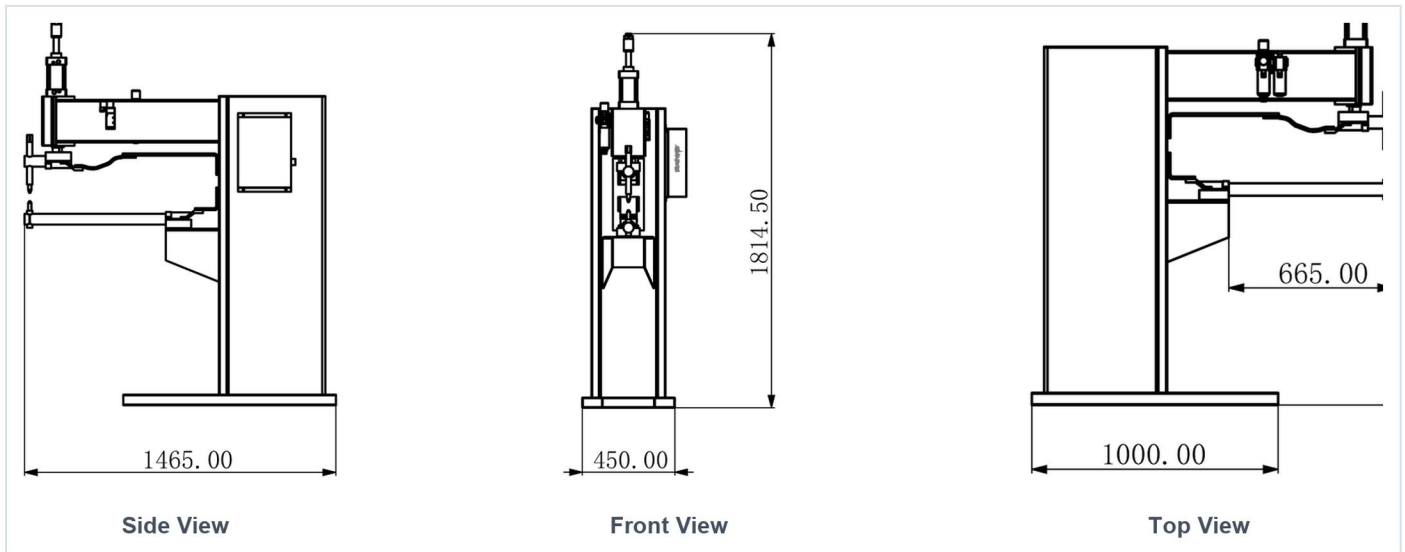
Parameter	PSW-40-450	PSW-40-650
Model	PSW-40-450	PSW-40-650
Load Persistence	0.12	0.12
Welding Length	450 mm	650 mm
Welding Thickness	1.2 + 1.2 mm	1.2 + 1.2 mm
Max. Pressure	393 N	393 N
Electrode Stroke	60 mm	60 mm
Apparent Power	35 KVA	35 KVA
Machine Size	1250 x 500 x 1300 mm	1450 x 500 x 1830 mm
Weight	230 kg	240 kg

Configuration Note

Specifications are extracted from the provided product parameter material and reorganized for this brochure. Final voltage, transformer configuration, pneumatic components, electrode type, guarding, and layout details should be confirmed before quotation or production.

LAYOUT

Overall Dimension Reference



Drawing reference from PSW-40-650 structure PDF. Main reference dimensions shown in the drawing include approx. 1465 mm length, 450 mm width reference, and 1814.5 mm height. Final installed layout may vary by configuration.

Request a Quotation or Layout Check

Share your target duct diameter range, material thickness, welding length requirement, voltage standard, air supply condition, and workshop layout. HYRUN can help confirm the suitable model and configuration.

Email: info@hyruntech.com **Phone:** +86-17555537983

Address: No.3 Yuanzhuang Road, Huashi Town, Jiangyin City, China, 214400